



Mono Rail +

**Next Day Shipment with Rollon's
MOVE FAST Program**



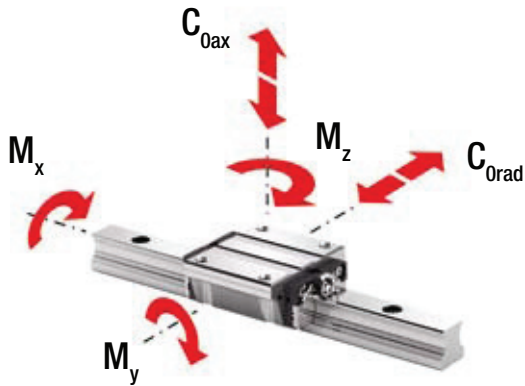
Configure Online Now and Order by 2pm for Next Day Shipment

- Quantities of up to 20 blocks and 10 rails can be ordered per transaction for fast delivery. For larger quantities, standard lead times apply.
- Class N with either Clearance or 2% preload are available for fast delivery.
- For other accuracy classes or preloads, please call Rollon toll free at: 1-877 976 5566
- Rails longer than the standard length can be available but extra manufacturing time is required.



Configure and Order Now at:
www.movefastwithrollon.com

Load Capacity



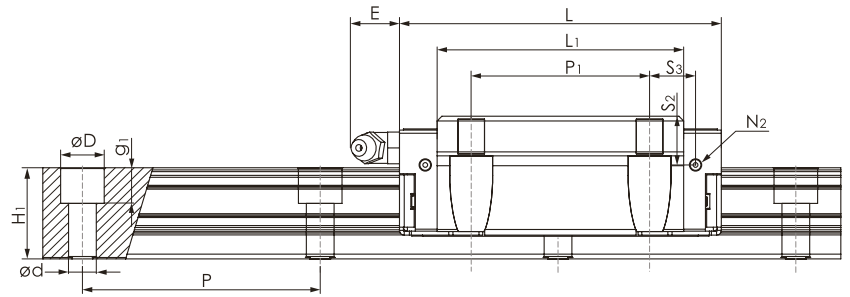
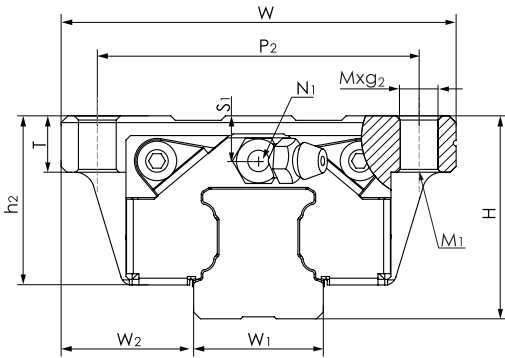
Calculate Service Life

$$L_{10} = \left(\frac{C}{P}\right)^3 \times 10^5 \text{ meters}$$

For a full description of linear guide life formula please see our full Rollon Mono Rail catalog available at www.rollonnews.com.

Type	Load capacities [kN]		Static moments [Nm]		
	dyn. C	stat. CO _{rad} stat. CO _{ax}	M _x	M _y	M _z
MRS015 MRS015W MRT015 MRT015W	9.9	17.5	140	105	105
MRS020 MRS020W MRT020 MRT020W	17.1	30	325	230	230
MRS020L MRS020LW	20.4	38.5	415	390	390
MRS025 MRS025W MRT025 MRT025W MRZ025W	24.8	42.5	540	385	385
MRS025L MRS025LW MRZ025LW	30.7	57.7	735	710	710

Type	Load capacities [kN]		Static moments [Nm]		
	dyn. C	stat. CO _{rad} stat. CO _{ax}	M _x	M _y	M _z
MRS030 MRS030W MRT030 MRT030W	32.8	53.7	845	565	565
MRS030L MRS030LW	39.6	70.2	1105	950	950
MRS035 MRT035 MRT035W	45.9	82.9	1700	1080	1080
MRS035L MRS035LW	54.7	106.5	2185	1755	1755



Series MRSO / MRSO carriage with flange

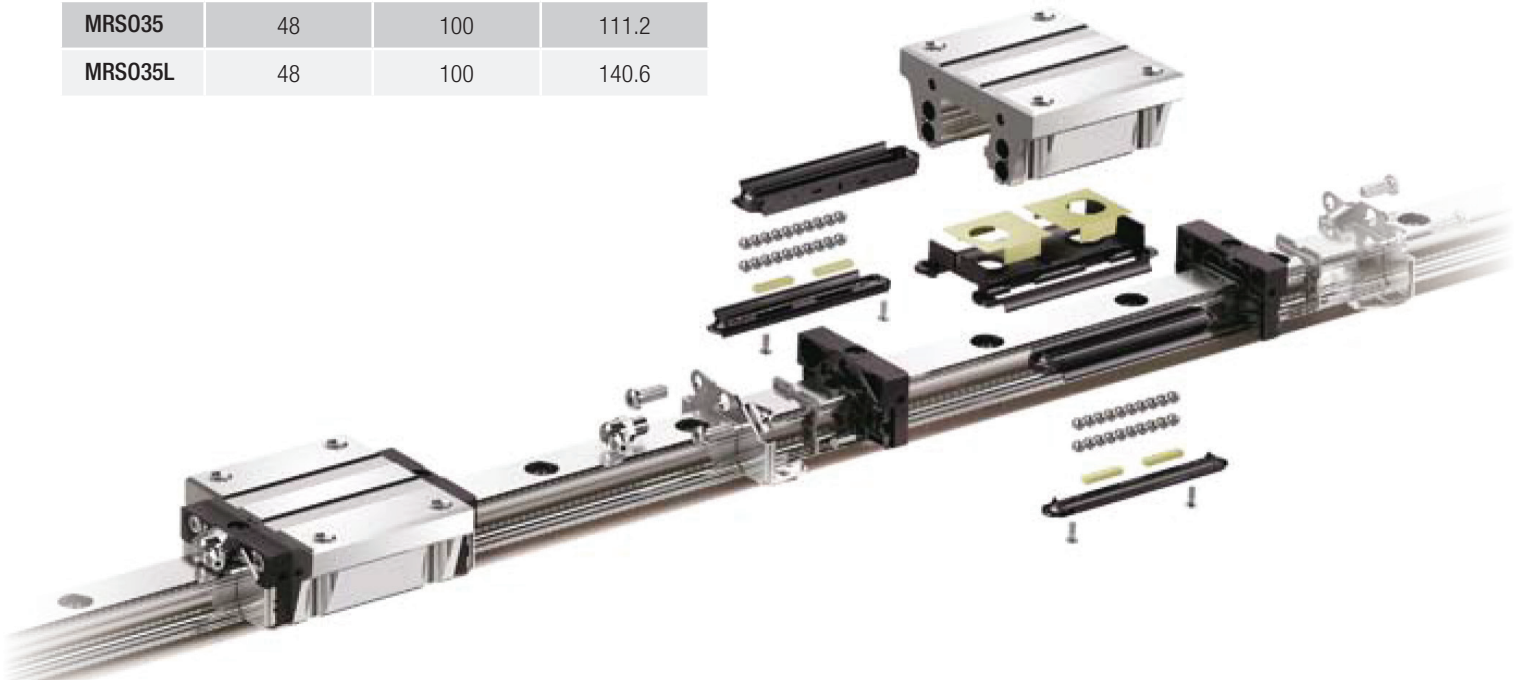


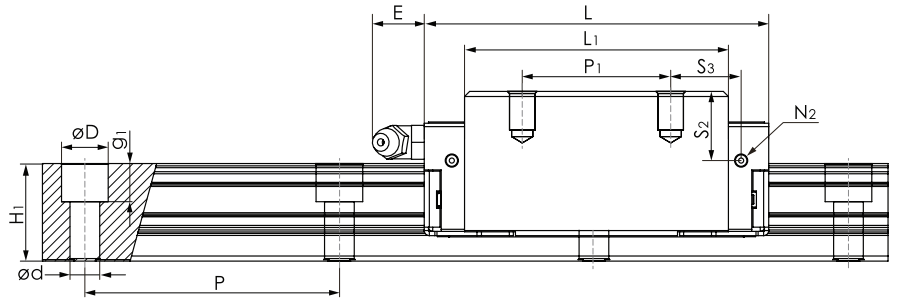
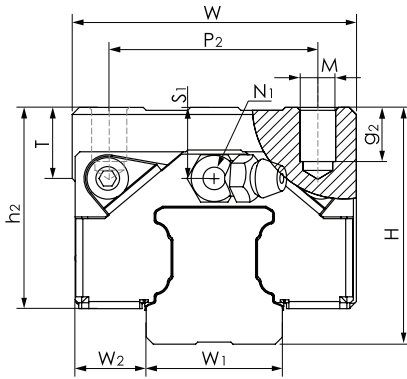
Series MRTO carriage with flange



Type	System [mm]	Slider [mm]	
	H	W	L
MRS015	24	47	55.5
MRS020	30	63	69
MRS020L	30	63	87.2
MRS025	36	70	81.2
MRS025L	36	70	105
MRS030	42	90	95.5
MRS030L	42	90	118
MRS035	48	100	111.2
MRS035L	48	100	140.6

Type	System [mm]	Slider [mm]	
	H	W	L
MRT015	24	52	55.5
MRT020	28	59	69
MRT025	33	73	81.2
MRT030	42	90	95.5
MRT035	48	100	111.2





Series MRSO...W / MRSO...LW
– carriage without flange



Series MRTO...W / MRTO...LW
– carriage without flange



Series MRZO...W / MRZO...LW
– carriage without flange

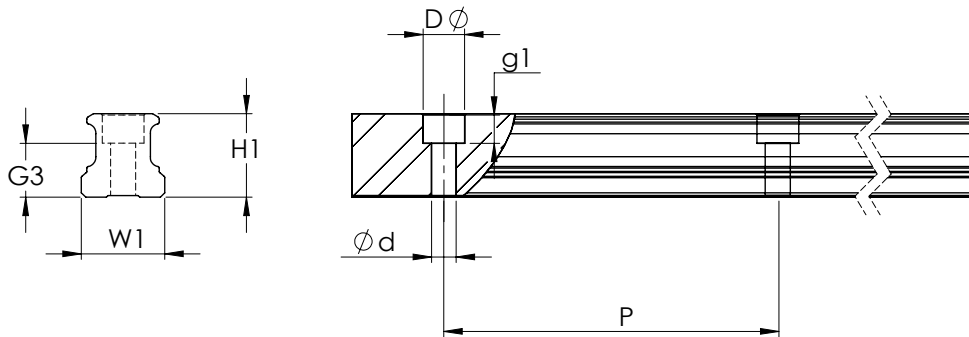


Type	System [mm]		Slider [mm]	
	H	W	W	L
MRS015W	28	34	34	55.5
MRS020W	30	44	44	69
MRS020LW	30	44	44	87.2
MRS025W	40	48	48	81.2
MRS025LW	40	48	48	105
MRS030W	45	60	60	95.5
MRS030LW	45	60	60	118
MRS035W	55	70	70	111.2
MRS035LW	55	70	70	136.6

Type	System [mm]		Slider [mm]	
	H	W	W	L
MRT015W	24	34	34	55.5
MRT020W	28	42	42	69
MRT025W	33	48	48	81.2
MRT030W	42	60	60	95.5
MRT030LW	42	60	60	118
MRT035W	48	70	70	111.2
MRT035LW	48	70	70	136.6

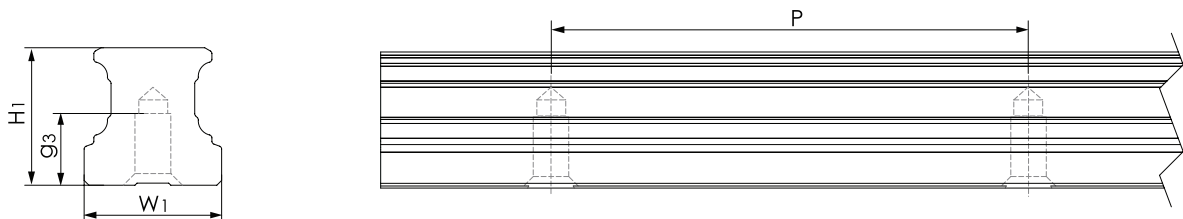
Type	System [mm]		Slider [mm]	
	H	W	W	L
MRZ025W	36	48	48	81.2
MRZ025LW	36	48	48	105

Series MRRO – top mount rail



Type	Rail [mm]				
	W ₁	H ₁	P	L _{max} [mm]	D x d x g ₁
MRRO15	15	15	60	4000	7.5 x 4.5 x 5.3
MRRO20	20	20	60	4000	9.5 x 6 x 8.5
MRRO25	23	23	60	4000	11 x 7 x 9
MRRO30	28	27	80	4000	14 x 9 x 12
MRRO35	34	32	80	4000	14 x 9 x 12

Series MRRO...F – rail mounted from below



Rail Type	W ₁ [mm]	H ₁ [mm]	P [mm]	M x g ₃ [mm]	L _{max} [mm]	Rail [kg/m]
MRRO15...F	15	15	60	M5 x 7.5	4000	1.29
MRRO20...F	20	20	60	M6 x 9	4000	2.28
MRRO25...F	23	23	60	M6 x 12	4000	3.02
MRRO30...F	28	27	80	M8 x 15	4000	4.38
MRRO35...F	34	32	80	M8 x 20	4000	6.79

Maximum rail length in one piece is 4000mm. However for the fast delivery program, the limit is 3960mm. Longer rails can be accomplished by joining rails, but an extended delivery time is required. Please consult with Rollon concerning your application and rail length requirement.

Rail Interchange Chart



		ROLLON MonoRail+	Old Rollon MonoRail	THK	STAR	CPC	IKO	NSK	HIWIN	INA	NB	THOMSON	SCHNEEBERGER
Standard Linear Guide Series	Std. flanged carriage with counterbore	MRSO...	MRS...	HSR...B, CB	1651	HRC...FN	LWH...B	LH...FL	LGW-CB			AG...AA or AT...A	
	Long flanged carriage with counterbore	MRSO...L	MRS...L	HSR...LB, HB	1653	HRC...FL	LWHG	LH...HL	LGW-HB	KUSE...L		AG...BA	
	Std. flanged carriage with tapped holes	MRSO...	MRS...	HSR...A, CA	1651	HRC...FN	LWHT...B	LH...EL	LGW-CA	KUVE		AG...AA or AT...A	BMA
	Long flanged carriage with tapped holes	MRSO...L	MRS...L	HSR...LA, HA	1653	HRC...FL	LWHTG	LH...GL	LGW-HA	KUVE...L / KUVE...L		AG...BA	BMB
	Std. slim high carriage	MRSO...W	MRS...W	HSR...R	1621	HRC...MN	LWHD...B	LH...AN	LGH-CA	KUSE...H / KUVE...H		AG...EE, T	BMC
	Long slim high carriage	MRSO...LW	MRS...LW	HSR...LR	1624	HRC...FL	LWHDG	LH...BN	LGH-HA	KUVE...HL		--	BMD
	Std. slim carriage	MRZO...W	MRZ...W	SHS...L	1622	ERC...MN	LWHS...B	LY...AL, AN		KUSE...H, HL		AG...CE, EE, T	
	Long slim carriage	MRZO...LW	MRZ...LW	SHS...LV	1623	ERC...ML	LWHSG	LY...BL, BN	LGH...HA	KUSE...HL		AG...DE, HE	
Low Profile Linear Guide Series	Low profile, short flanged block	MRTO...S	MRT...S	SR...SB	1663	ARC...FS	LWEC	LS...KL	AGW-SB		SGL...E		
	Low profile, standard flanged block	MRTO...	MRT...	SR...TB	1693	ARC...FN	LWEC	LS...FL	AGW-CB		SGL...TE	AT...G	
							LWEG						
					1661		LWETC	LS...JL			SGL...E		
							LWETC	LS...EL	AGW-CA		SGL...TE	AT...G	
							LWETG						
	Low profile, short slim block	MRTO...SW	MRT...SW	SR...V	1664	ARC...MS	LWESC	LS...CL	AGH-SA		SGL...F		
	Low profile, standard slim block	MRTO...W	MRT...W	SR...W	1694	ARC...MN	LWESC	LS...AL	AGH-CA		SGL...TF	AT...F / AG...CE	
Rail Styles	Top mount rail	MRR0..Length (mm)			1605	AR...							
	Bottom mount rail	MRR0...Length (mm)...F			1607	ARU...							
Miniature Linear Guide Series	Miniature monorail with std. rail width	MR...MN			0442		LWLC	PU..					MN
	Miniature monorail with std. rail width	MR...MN		RSR...ZM	0442	MR...MN	LWLC	LU...AL or TL	MGN...C	KUME	SEBS...A		MN
	Miniature monorail with std. rail width	MR...MN		RSR...VM, KM, V	0442	MR...MN	LWLG	LU...BL	MGN...H		SEBS...AY		MN
							LWLC	LE...CL			--		MN
	Miniature monorail with wide rail width	MR...WN		RSR...WVM, WM or WV	0443	MR...WN	LWLF	LE...AL or TL	MGW...C	THDM..W / KWEM..W	SEBS...WA		MN
Miniature monorail with wide rail width	MR...WN		RSR...WZM	0443	MR...WN	LWLF	PE..	MGW...H		SEBS...WAY		MN	
Wide Linear Guide				HRA			LWFFH						--
				HRW...CA	1671		LWFF	LW...EL					--
				HRW...CR			LWFS						--
Roller Linear Guide Series							LRXC						--
					1851		LRX	RA..EM		RUE...D			MRA
				SRG-LC	1853		LRXG	RA..GM		RUE...DL			MRB
							LRXDC						
					1821		LRXD	RA..AN		RUE...DH			MRC
			SRG-LR(V)	1824		LRXDG	RA..BN		RUE...DHL			MRD	
				VR			CRW	CRG					
				VRU			CRWU						
				LMT			LSAG						
				LMT...K			LSAGT						
				LTF			LSAGF						
				LTF...K			LSAGFT						

Ordering Key



Rail Only

MRRO 20 N 10450 F T3 -35 -10 XXX 20mm Bottom Mount, Rail only, 10450mm long in 3 pieces, 35mm to first hole and 10mm to last hole

Surface coating

Last Hole Pitch: Distance from the last hole to the end of the rail

First Hole Pitch: distance from the end of the rail to the first hole

Joined Rails (option): number of Rails – empty 1 rail or T=1

Rail Mounted from Below (option): F if below, blank if from Top

Total Rail Length: (in mm – 5 digits)

Precision Class: N, H, P

Size: 15, 20, 25, 30, 35, 45

Rail Type: MRRO – Rail only

Ordering Example: MMR020-N-11900-F-T3-35-10

Rail composition: 1x3965+1x2520+1x3965 (only for joint processed rails)

Hole pattern: 35-66x60-30//30-42x60-30//30-66x60-35 (always specify hole pattern separately)

Notes on ordering: The rail lengths are always indicated as 5 digits with 0 prefixes

Carriage Only

MRZO 25 W N VC A XXX

Surface coating

Seal Style A: Lubrication Pad (included), ball cage option

Preload Class: VC – Clearance; V0 – 2%

Precision Class: N, H, P

Block Style: L – Long, W – Slim, No mark – Standard Flange

Size: 15, 20, 25, 30, 35, 45

Carriage Type: MRSO – Standard Height; MRTO – low height; MRZO – Med Height

Ordering Example: MRZO25W-N-VC-A

ROLLON Corporation - USA



101 Bilby Road. Suite B

Hackettstown, NJ 07840

Phone: (+1) 973 300 5492

www.rolloncorp.com - info@rolloncorp.com

All addresses of our global sales partners can also be found in the internet at www.rollon.com